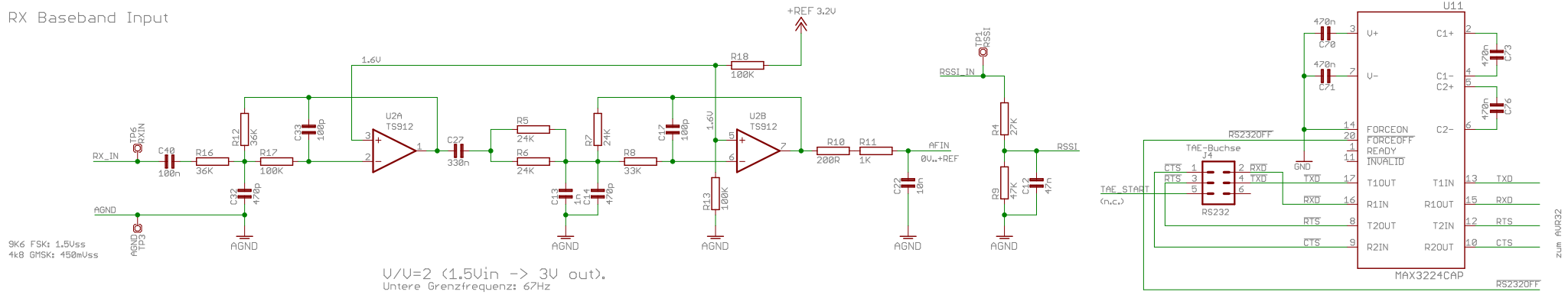
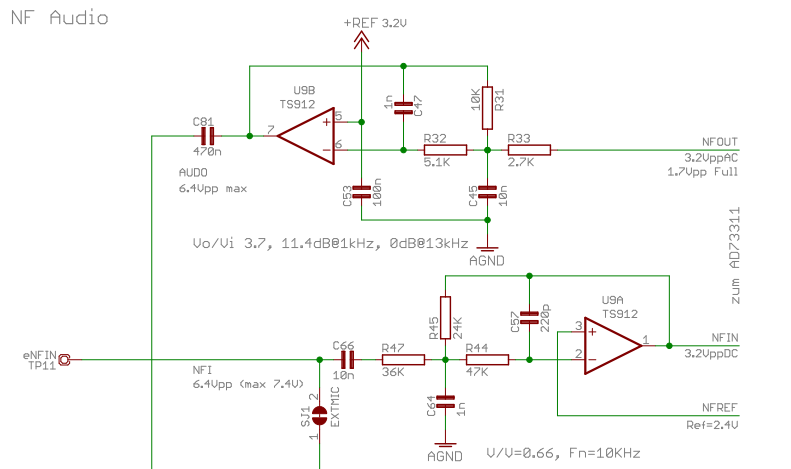


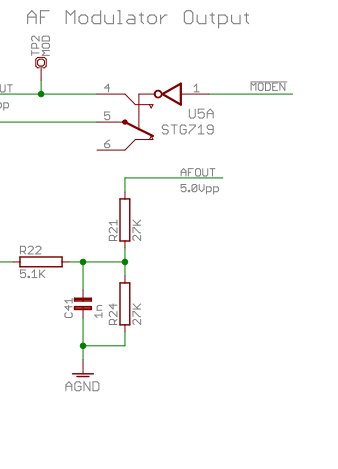
RX Baseband Input



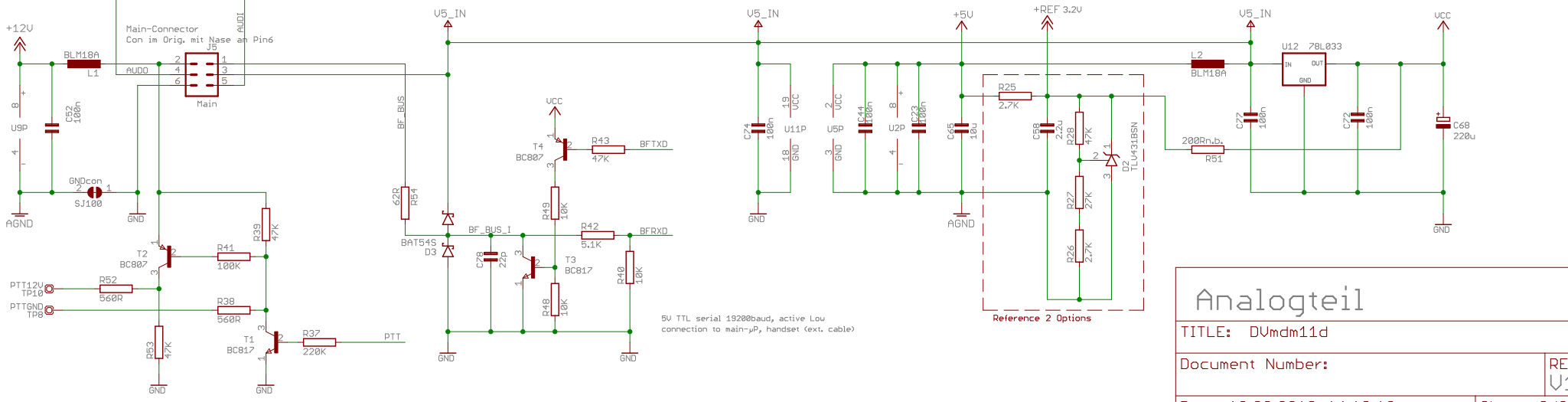
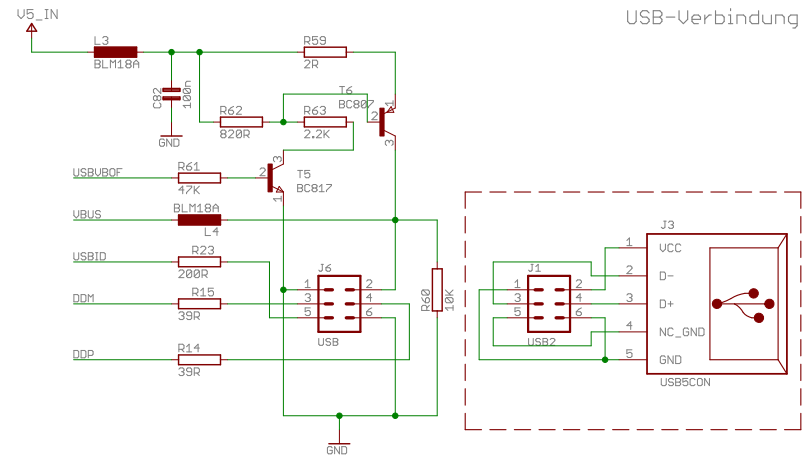
NF Audio



AF Modulator Output



USB-Verbindung



<h2>Analogteil</h2>	
TITLE: DUm dm11d	
Document Number:	
Date: 19.03.2010 14:12:12	REV: U1.1
Sheet: 2/2	